



KONICA MINOLTA

bizhub 4700i

A4 Monochrome Single-function Printer (SFP)

bizhub **i-SERIES**

RETHINK IT



4700i
BW 47 PPM

Giving Shape to Ideas

bizhub i-SERIES

ACHIEVE OUTSTANDING PRODUCTIVITY

Compact A4 Laser Printer



Outstanding productivity and operability in a compact body

Delivers high-speed 47 ppm printing

bizhub 4700i delivers high-speed printing productivity up to 47 ppm in monochrome. Warm-up time between power-up and ready-to-print is less than 17 seconds, and first copy out time has been significantly reduced to just 7.4 seconds.

Duplex printing/Combine function reduces paper use

Duplex printing, and a Combine function that aggregates multiple pages onto one page (a maximum of 16 pages) come as standard. The resulting significant reduction in paper use is effective in reducing TCO (Total Cost of Ownership).

USB direct print

Just insert a USB flash drive into the USB port, and the data can be directly printed with a few easy steps.

Compatible file formats: PDF, compact PDF, JPEG, TIFF, XPS, compact XPS, OOXML (.docx/.xlsx/.pptx), and PPML

Equipped with 1,200 dpi High Resolution Mode

bizhub 4700i is equipped with a 1,200 dpi High Resolution Mode* with superb capability to reproduce small text and fine lines. It delivers high-quality output of drawings that require fine details, and documents with high-density text.

*Print speed will be reduced.

Standard equipped Windows/Mac-compatible controller

Delivers high-performance printing, even in a mixed Windows/Mac network. Executes high-speed processing and high-quality printing of page description languages such as PCL, PostScript3 conversion, and XPS, and of file formats including JPEG, PDF, and OOXML.

Large, easy to use 7-inch panel with new UI for better operability

The operation panel has been redesigned, now featuring familiar, smart device style operability. A large 7-inch screen delivers simpler operation with a few easy steps.



Compatible with a wireless LAN environment

bizhub 4700i can be connected to a wireless LAN in environments that lack a wired LAN. It is compatible with simple AP (Access Point) Mode which can set up a local wireless LAN environment with only the main bizhub unit. A wireless LAN can be built separately from the company LAN. Because they bypass the company LAN, even mobile devices brought in from outside can be securely connected.

Requires Upgrade Kit UK-221 option.

A compact body, 420 mm wide and 528 mm deep

Achieves a small footprint enabling placement on a desktop or in tight office spaces.



Designed for a maximum paper feed capacity of 1,600 sheets

bizhub 4700i offers an optional 500-sheet paper feed unit, where up to 2 trays can be added. Despite its compact body, it delivers substantial paper feed capacity with a maximum of 1,600 sheets, including 100 sheets from a manual feed tray.

Standard tray: 500 sheets

Paper size: A4-A6, B5-B6
Postcards (up to 20)
Envelopes* (up to 30)
Creases or print defects may occur depending on the envelope type, storage and printing environment.



Max.
1,600
sheets
(80 gsm paper)

Paper feed unit: 500 sheets (Option)

Paper size: B5, A4, letter
4700i: up to 2x paper feed unit can be added.

Manual feed tray: 100 sheets

Paper size: A4-A6, B5-B6, legal
Postcards (up to 20)
Envelopes* (up to 10)
Creases or print defects may occur depending on the envelope type, storage and printing environment.

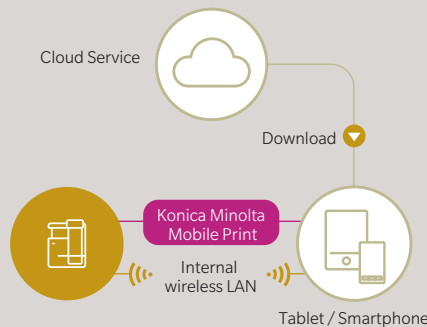
MOBILE & CLOUD Flexible network connectivity

Konica Minolta Mobile Print^{*1} connects with mobile devices

A simple and intuitive user interface enables easy connection with mobile devices and bizhub. Documents and photos stored in the cloud can be smoothly printed.

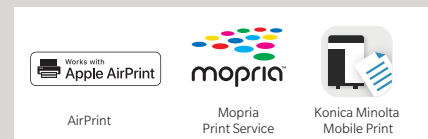
*1 The Android version can be downloaded from Google Play, iOS version from App Store and Windows 10 Mobile version from Microsoft Store.

Requires a wireless LAN environment to connect mobile devices to a network.



Compatibility with mobile print services

bizhub 4700i is compatible with a variety of services able to print from smartphones and tablets.



SECURITY A worry-free security function

Compatible with VLAN (Virtual LAN) that prints in two network environments

Compatible with a VLAN function that logically divides into multiple networks. It separates and isolates the data for each network, such as externally vs. internally connected networks, company-dedicated vs. guest-only networks, or in offices occupied by multiple companies so the printer can be used securely.

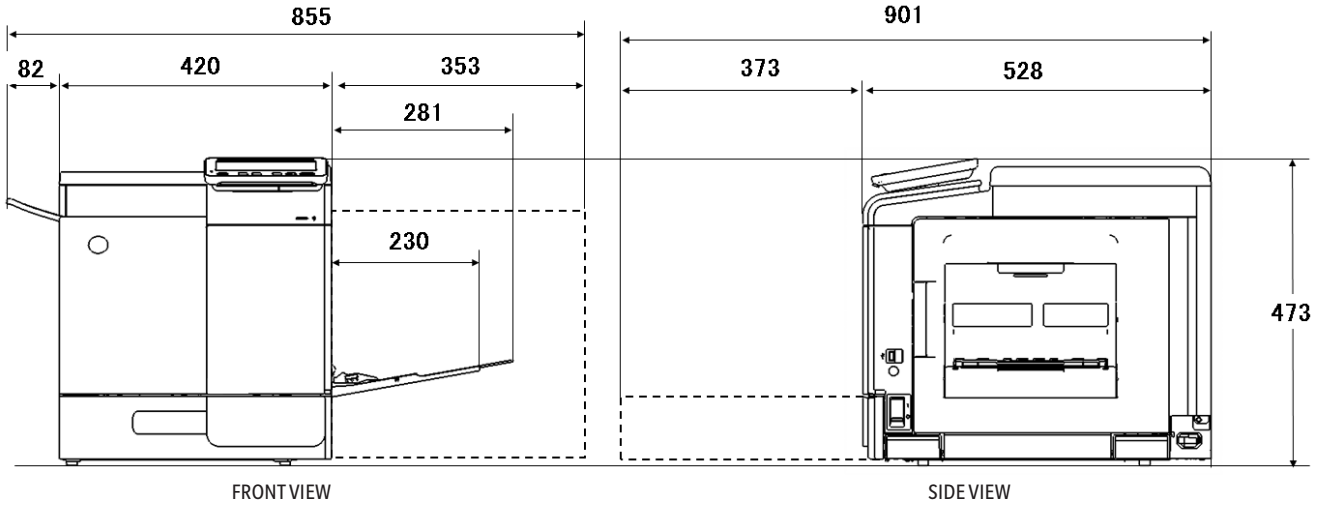
For further details please contact your authorised Konica Minolta retailer.



PRODUCT SPACE REQUIREMENTS

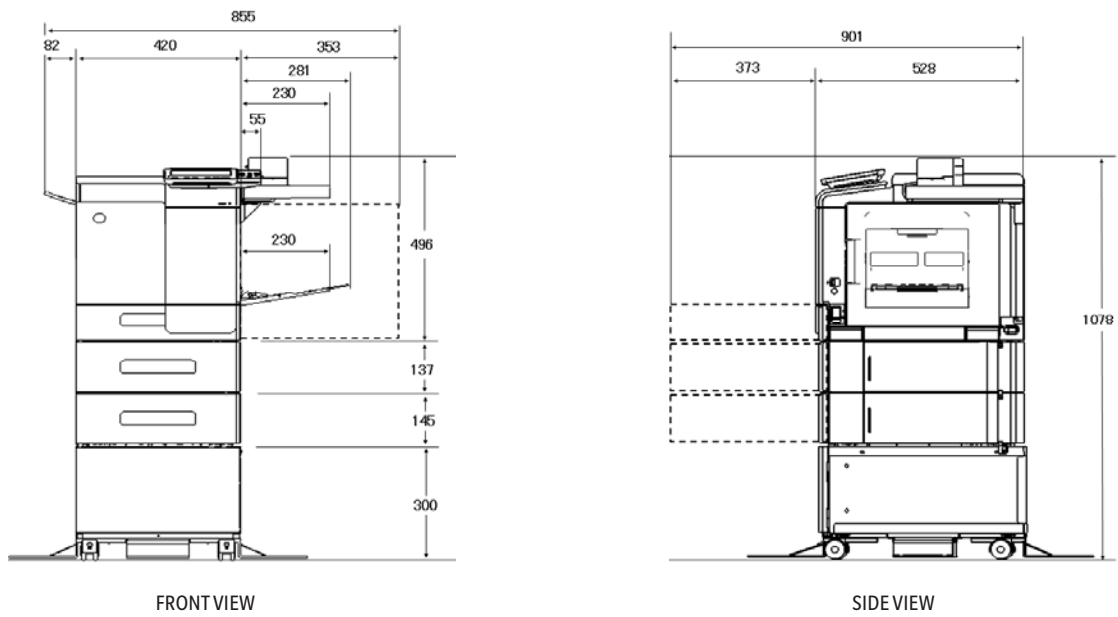
bizhub 4700i

STANDARD CONFIGURATION



bizhub 4700i

WT-P03 + FS-P04 + 2X PF-P20 + DK-P04



CUSTOMER BENEFITS



Intuitive operability

Operate the bizhub like a smartphone or tablet with fully customised user interface



Mobile connectivity

Print anytime from anywhere with Konica Minolta's innovative mobile technologies



Services

Efficient printer fleet management, including automatic consumables delivery, pro-active maintenance and remote setup



Sustainability

Numerous eco features reduce energy consumption and costs

OPTIONS

1 ENHANCED FEATURES

Serverless pull printing
LK-114

2 CONNECTIVITY

Wireless LAN
UK-221

USB I/F kit
EK-P08

USB I/F kit with Bluetooth
EK-P09

NFC I/F kit
EK-P10

I/F cable for CSRC modem
EK-P11

Biometric authentication
AU-102

ID card reader

Mount kit
MK-P08



3 OTHERS

Working table
WT-P03

10-Key pad
KP-P03

Keyboard holder
KH-P02

4 MEDIA INPUT

Paper feed unit*
PF-P20

Height adjustment unit*
PF-P22

Copier desk
DK-P04

5 MEDIA OUTPUT

Off-line stapler
FS-P04

LEGEND

- Mandatory option
- Option
- This option can only be installed with the respective option above it

* Install up to 2x PF-P20, 2x PF-P22 or 1x PF-P20 + 1x PF-P22

FINISHING FUNCTIONALITIES



Duplex



Corner Stapling
(offline)

DESCRIPTION

ENHANCED FEATURES

LK-114 Serverless pull printing	Secure and Follow Me printing solution requiring no server application
--	--

CONNECTIVITY

UK-221 Wireless LAN	Wireless LAN and wireless LAN Access Point Mode
EK-P08 USB I/F kit	USB keyboard connection
EK-P09 USB I/F kit	USB keyboard connection with Bluetooth LE
EK-P10 NFC I/F kit	To connect with Android mobile devices
EK-P11 Local I/F kit	GPRS modem connection for CSRC
AU-102 Biometric authentication	Finger vein scanner
ID card reader	Various ID card technologies
MK-P08 Mount kit	Installation kit for ID card reader

OTHERS

WT-P03 Working table	Authentication device placement
KP-P03 10-Key pad	For use instead of touchscreen
KH-P02 Keyboard holder	To place USB keyboard

MEDIA INPUT

PF-P20 Paper tray	500 sheets, A4, 60-90 g/m ²
PF-P22 Height adjustment unit	To achieve comfortable height for operation
DK-P04 Copier desk	Provides storage space for print media and other materials

MEDIA OUTPUT

FS-P04 Off-line stapler	20-sheet off-line stapling
--------------------------------	----------------------------

TECHNICAL SPECIFICATIONS

SYSTEM SPECIFICATIONS

System speed A4	Up to 47 ppm
Autoduplex speed A4	Up to 47 ppm
1st page out time A4	7.4 sec.
Warm-up time	Approx. 17 sec. ¹
Imaging technology	Laser
Toner technology	Simitri® HD polymerised toner
Panel size/resolution	7" / 800 x 480
System memory (standard/max)	4 GB
System hard drive (standard)	8 GB
Interface	10/100/1,000-Base-T Ethernet; USB 2.0; USB 3.0; Wi-Fi 802.11 b/g/n/ac (optional)
Network protocols	TCP/IP (IPv4 / IPv6); SMB; LPD; IPP; SNMP; HTTP(S); Bonjour
Printable paper size	A6-A4; customized paper sizes
Printable paper weight	60-210 g/m ²
Paper input capacity (standard/max)	600 sheets / 1,600 sheets
Paper tray input (standard)	1x 500; A6-A4; custom sizes; 60-210 g/m ²
Paper tray input (optional)	1x 500 sheets; A4; 60-90 g/m ² (up to 2x)
Manual bypass	100 sheets; A6-A4; custom sizes; 60-210 g/m ²
Finishing modes (optional)	Group; Sort; Staple (offline)
Automatic duplexing	A4; 60-210 g/m ²
Output capacity	Up to 250 sheets
Power consumption	220-240 V / 50/60 Hz; Less than 1.45 kW
System dimension (W x D x H)	420 x 528 x 473 mm (without options)
System weight	Approx. 29.0 kg (without options)

PRINTER SPECIFICATIONS

Print resolution	600 x 600 dpi; 1200 x 1200 dpi
Page description language	PCL 6 (XL3.0); PCL 5c; PostScript 3 (CPSI 3016); XPS
Operating systems	Windows 7 (32/64); Windows 8.1 (32/64); Windows 10 (32/64); Windows Server 2008 (32/64); Windows Server 2008 R2; Windows Server 2012; Windows Server 2012 R2; Windows Server 2016; Windows Server 2019; Macintosh OS X 10.10 or later; Unix; Linux; Citrix
Printer fonts	80 PCL Latin; 137 PostScript 3 Emulation Latin
Mobile printing	AirPrint (iOS), Mopria (Android); Konica Minolta Mobile Print (iOS/Android/Windows 10 Mobile) WiFi Direct

SYSTEM FEATURES

Security	IP filtering and port blocking; SSL3 and TLS1.0/1.1/1.2 network communication; IPsec support; IEEE 802.1x support; User authentication; Kerberos; Hard drive overwrite; Hard drive data encryption (AES 256); Print user data encryption
Accounting	Up to 100 user accounts; Active Directory support (user name + password + e-mail + smb folder)
Accounting (optional)	Biometric authentication (finger vein scanner); ID card authentication (ID card reader); Authentication by mobile device (Android/iOS)
Software	Data Administrator; Web Connection; Driver Packaging Utility; Log Management Utility

¹ Warm-up time may vary depending on the operating environment and usage

- All specifications refer to A4-size paper of 80 g/m² quality.
- The support and availability of the listed specifications and functionalities varies depending on operating systems, applications and network protocols as well as network and system configurations.
- The stated life expectancy of each consumable is based on specific operating conditions such as page coverage for a particular page size (6% coverage of A4). The actual life of each consumable will vary depending on use and other printing variables including page coverage, page size, media type, continuous or intermittent printing, ambient temperature and humidity.
- Some of the product illustrations contain optional accessories.
- Specifications and accessories are based on the information available at the time of printing and are subject to change without notice.
- Konica Minolta does not warrant that any specifications mentioned will be error-free.
- All brand and product names may be registered trademarks or trademarks of their respective holders and are hereby acknowledged.

KONICA MINOLTA BUSINESS SOLUTIONS (M) SDN BHD

Company No: 198101006526 (72640-P)

Infinite Centre, Lot 1, Jalan 13/6,
46200 Petaling Jaya, Selangor, Malaysia

CONTACT US:

Sales & Marketing

Tel: +603-7801 2611 Fax: +603-7954 8316

Email: marketing.1@konicaminolta.com

 facebook.com/konicaminoltamy

 linkedin.com/company/konicaminoltamy



KONICA MINOLTA

www.konicaminolta.com.my/home